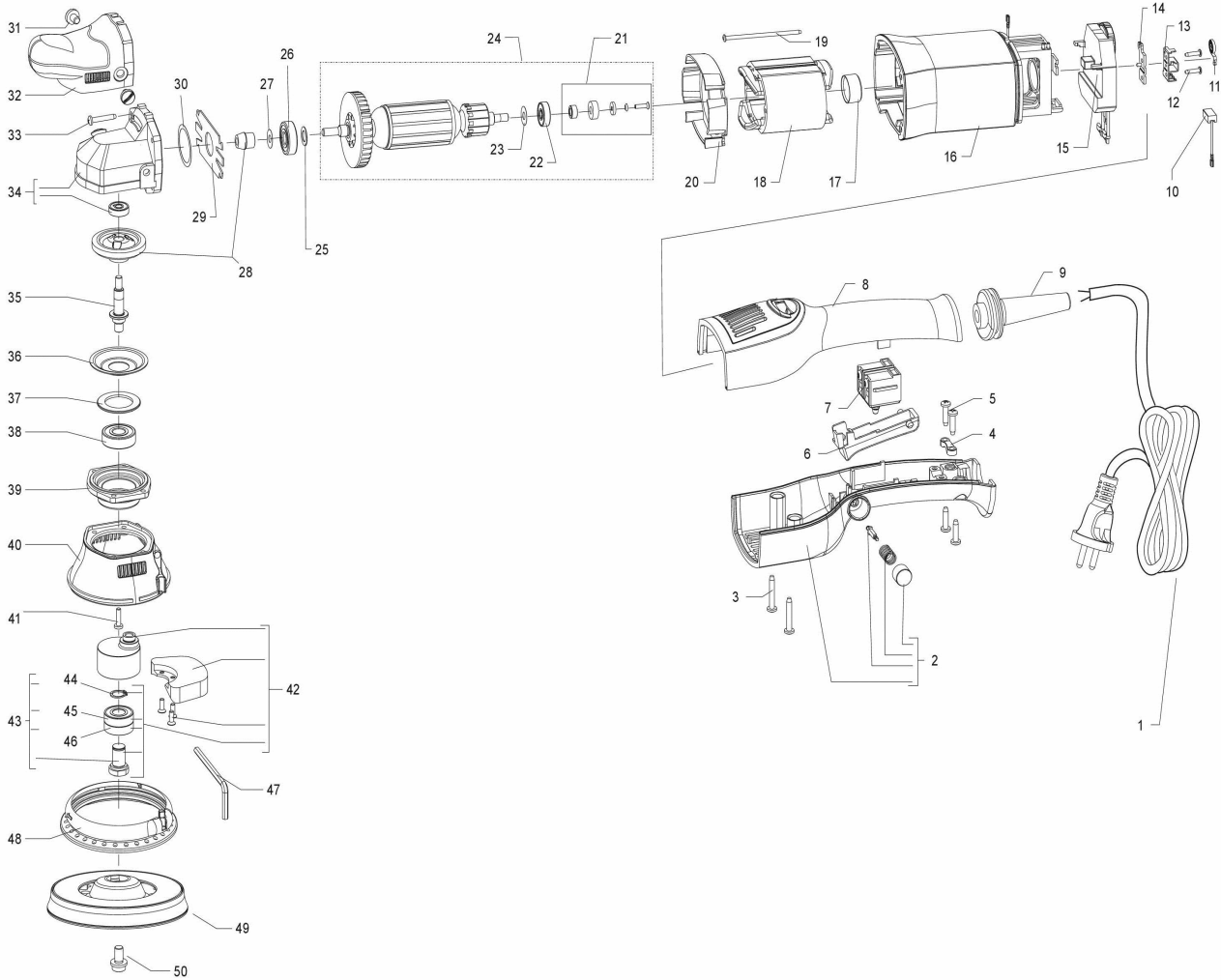


## LUCIDATRICE ROTORBITALI RANDOM-ORBITAL POLISHER

### LHR15ES



ID	ITEM	DESCRIPTION
001	9C2X0,8VUS9	CAVO 2x18AWG spina AMERICANA polarizzata R21 9mt.
001	9C2X1,0N489	CABLE 2X1 (plug Schuko d4,8) mt.9 H07RN-F FLEX
001	9C2X1,0NAU9FOR	CABLE 2X1 (plug Australia) H07RN-F mt.9
001	9C2X1,0NGB9FOR	CABLE 2X1 (plug UK) with fork H07RN-F CENTRAL METAL PLUG mt.9
001	9C2X1,0R409FOR	CABLE 2X1 (plug D4) H07RN-F mt.9 with fork (only Swiss)
001	9C2X1,0RAR9	CABLE 2x1,0 (plug Argentina) mt.9
001	9C2X1,25VJA9	CABLE 2x1,25 (plug JAPAN) mt.9
002	44.285/C	COMPLETE LOWER HANDLE (blocco a/c)
002	44.285/UL	IMPUGNATURA INF. LHR21E materiale UL
003	9.552	SCREW 3,9x25 ( 7x1" ) T.C.C.
004	442.55	CABLE CLAMP
005	9.660	SCREW 3,9x16 ( 7x5/8" ) T.C.C.
006	38.286	SWITCH BUTTON (clamp open/close)
007	45.284/UL	SWITCH 8(8) max 250V
007	45.284/UL	SWITCH 8(8) max 250V
008	441.285/E/UL	UPPER HANDEL FOR ELECTRONICS (UL material)
008	441.285/E	UPPER HANDEL FOR ELECTRONICS
009	42.290	CABLE SLEEVE SS31TE
010	47.105/10	BLISTER WITH 10 PC. BRUSHES BA215
011	461.105	SPRING BRUSH HOLDER BA21 BURNISHED
012	9.551	SCREW 2,9x13 ( 4x1/2" ) T.C.C.
013	46.105	BRUSH HOLDER BA215-LH18ENS
014	462.105	BRUSH HOLDER PLATE
015	400.246/C	ELECTRONIC MODULE
015	400.246/60HZ/C	ELECTRONIC MODULE
016	31.284/UL	MOTOR BODY(UL material)
016	31.284	MOTOR BODY
017	268.105	BEARING CAP
018	2.245/120S	STATOR (V.120)
018	2.245/230S	STATOR (V.230)
018	2.245/100S	STATOR (V.100)
019	9.787	SCREW 2,9x70 T.C.C.
020	73.284	AIR BULKHEAD
021	405.322/C	COMPLETE MAGNET
022	9.14/10	BEARING 626ZZ 1MC3EJNS75Q
023	9.318	STEEL WASHER d15 x 6,1 s 0,15
024	1.245/230S/C	ROTOR (V.230)
024	1.245/120S/C	ROTOR (ARMATURE) 120V
024	1.245/100S/C	ROTOR (V.100-110)
025	9.298	STEEL WASHER d15 x 9,1 s 0,5
026	9.187/10	BEARING 629 2BRS R66 FA227
027	9.318	STEEL WASHER d15 x 6,1 s 0,15
028	50.245	GEAR SET
029	351.105	MOTOR BODY LITTLE COVER
030	9.364	STEEL WASHER d25,9x21 s 0,1
031	812.91	SCREW M8 x 15 T.C.IN NYLON A T.
032	816.246/C	COMPLETE FRONT HOUSING
033	9.679	SCREW 4,2x25 ( 8x1" ) T.C.C.
034	32.245/C/31	GEAR BOX WITH BUTTON
035	51.245	SPINDLE SHAFT
036	35.105	FLANGE PLATE BA21-SL41
037	54.245	SPACER GEAR BOX
038	9.184/10	BEARING 6201 2BRS R66 FA227
039	33.245	FLANGE
040	65.245	PROTECTIVE CAP
041	9.835	SCREW M4 x 20 T.C.C. 8G BURNISHED +

ID	ITEM	DESCRIPTION
042	58.196N/C	ECCENTRIC ASSEMBLY
043	56.245N/C	ECCENTRIC SHAFT ASSEMBLY
044	9.102	SEEGER d 12 TIPO E DIN 471 CR3 PHOSPHATE
045	9.175/10	BEARING 6001 ZZ-C3
046	9.182/10	BEARING 6001 DDWCM J NS75Z
047	9.1395	ALLEN SPANNER 5mm
048	651.246	RUBBER SHROUD LHR15
049	980.027N/5	BOX 5pcs Ø 125mm PAD VELCRO M8 FOR LHR15ES
050	9.715	SCREW M8 x 16 T.B. ZINC-PLATED WITH WASHER